

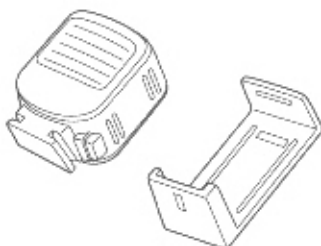
# Panasonic®

Palmcorder®  
Mini DV

Color Enhancement Light

## Operating Instructions

The PV-DLT9 Color Enhancement Light is an accessory for the PV-DV900 Mini DV Palmcorder.



## PV-DLT9

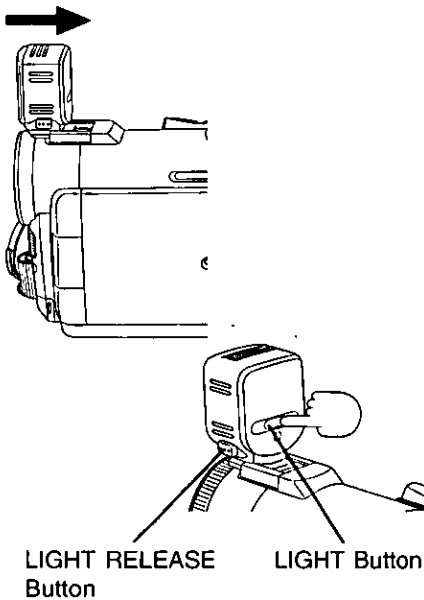
Before attempting to connect, operate or adjust this product, please read these instructions thoroughly and save this manual.

## Specifications

<b>Weight:</b>	0.046 lbs. 0.021 kg
<b>Dimensions:</b>	1-1/4 (W) x 1-1/4 (H) x 2 (D) inch 32 (W) x 32 (H) x 51 (D) mm

Weight and dimensions shown are approximate.  
Designs and specifications are subject to change without notice.

To brighten the natural colors in a scene.



**1** Slide Light into the Built-in Light Mount.

Be sure it locks into place.

**2** Press LIGHT Button ON.

**3** Press LIGHT Button again to shut it OFF.

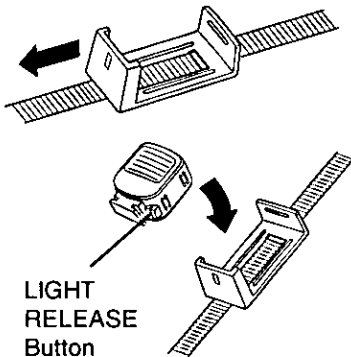
**To remove the Light:**

Press LIGHT RELEASE Button and slide the Light out of the mount.

**Caution:**

This light becomes hot during operation. Make sure nothing covers the Light during operation.

## Attach the Light Holder



**1** Thread the strap (with no buckle) through the Light Holder so that it faces outward.

**2** Insert the Light into the Light Holder for Storage.

**3** Press LIGHT RELEASE Button and slide Light out from the holder when removing the Light.

### Note:

- Using the light will reduce battery operating time.
- If using the enhancement Light for an extended period of time, be sure to provide ventilation when using it in a hot environment.
- Be sure LIGHT Button is set to OFF when not in use.
- Do not attempt to lift or carry the Palmcorder by holding the Enhancement Light.
- If light bulb needs to be replaced, take Light to your nearest service center.

**Panasonic Consumer Electronics Company, Division of Matsushita Electric Corporation of America**

One Panasonic Way Secaucus, New Jersey 07094

**Panasonic Sales Company, Division of Matsushita Electric of Puerto Rico, Inc.**

Ave. 65 de Infanteria. Km. 9.5  
San Gabriel Industrial Park, Carolina, Puerto Rico  
00985

## **PANASONIC/QUASAR Video Products Limited Warranty**

Panasonic Consumer Electronics Company or Panasonic Sales Company (collectively referred to as "the Warrantor") will repair this product with new or refurbished parts, free of charge, in the USA or Puerto Rico, in the event of a defect in materials or workmanship as follows (all time periods commence from the date of the original purchase):

<b>PRODUCT</b>	<b>PARTS</b>	<b>LABOR</b>
<b>CAMCORDER</b>	<b>ONE (1) YEAR, EXCEPT CCD IMAGE SENSOR CCD IMAGE SENSOR - SIX (6) MONTHS</b>	<b>NINETY (90) DAYS NINETY (90) DAYS</b>
<b>VCR</b>	<b>ONE (1) YEAR</b>	<b>NINETY (90) DAYS</b>
<b>A/V MIXER</b>	<b>ONE (1) YEAR</b>	<b>NINETY (90) DAYS</b>
<b>MONITOR-VCR</b>	<b>ONE (1) YEAR, EXCEPT CRT CRT - TWO (2) YEARS</b>	<b>NINETY (90) DAYS CRT- NINETY (90) DAYS CUSTOMER PAYS ALL</b>

**LABOR**

**CHARGES AFTER 90 DAYS**

**Monitor-VCR In-home or carry-in Service: 22" (diagonal) CRT / LCD and Larger  
Monitor-VCR Carry-in Service: 21" (diagonal) CRT / LCD and smaller**

**Batteries** (if included) - New rechargeable batteries in exchange for defective rechargeable batteries for ten (10) days. Non-rechargeable batteries are not warranted.

**Tape** (if included) - New video cassette tape in exchange for a defective video cassette tape for five (5) days.

In-home, carry-in or mail-in service, as applicable, in the USA can be obtained during the warranty period by contacting a Panasonic Services Company (PASC) Factory Servicenter listed in the Service Directory. Or call toll free 1-800-211-PANA(7262), to locate an authorized PASC Servicenter. Carry-in or mail-in service in Puerto Rico can be obtained during the warranty period by calling the Panasonic Sales Company telephone number listed in the Servicenter Directory.

This warranty is extended only to the original purchaser. A purchase receipt or other proof of the date of the original purchase is required before warranty service is rendered.

This warranty only covers failures due to defects in materials and workmanship which occur during normal use and does not cover normal maintenance, including, but not limited to, video and audio head cleaning. The warranty does not cover damage which occurs in shipment, or failures which are caused products not supplied by the warrantor, or failures which result from accident, misuse, abuse, neglect, mishandling, misapplication, alteration, modification, faulty installation, set-up adjustments, improper antenna, inadequate signal pickup, maladjustment of consumer controls, improper operation, power line surge, improper voltage supply, lightning damage, commercial use such as hotel, office, restaurant, or other business or rental use of the product, or service by anyone other than a PASC Factory Servicenter or a PASC authorized Servicenter, or damage that is attributable to acts of God.

### **LIMITS AND EXCLUSIONS**

There are no express warranties except as listed above. THE WARRANTOR SHALL NOT BE LIABLE FOR INCIDENTAL OR CONSEQUENTIAL DAMAGES (INCLUDING, WITHOUT LIMITATION, DAMAGE TO TAPES) RESULTING FROM THE USE OF THIS PRODUCTS, OR ARISING OUT OF ANY BREACH OF THE WARRANTY. ALL EXPRESS AND IMPLIED WARRANTIES, INCLUDING THE WARRANTIES OF MERCHANTABILITY AND FITNESS FOR PARTICULAR PURPOSE, ARE LIMITED TO THE APPLICABLE WARRANTY PERIOD SET FORTH ABOVE. Some states do not allow the exclusion or limitation of incidental or consequential damages, or limitations on how long an implied warranty lasts, so the above exclusions or limitations may not apply to you.

This warranty gives you specific legal rights and you may also have other rights which vary from state to state.

If a problem with this product develops during or after the warranty period, you may contact your dealer or Servicenter. If the problem is not handled to your satisfaction, then write to the Customer Satisfaction Center at the Panasonic Consumer Electronics Company address above.

**SERVICE CALLS WHICH DO NOT INVOLVE DEFECTIVE MATERIALS OR WORKMANSHIP AS DETERMINED BY THE WARRANTOR, IN ITS SOLE DISCRETION, ARE NOT COVERED. COSTS OF SUCH SERVICE CALLS ARE THE RESPONSIBILITY OF THE PURCHASER.**

warvid 2/11/97

---

**Panasonic Consumer Electronics  
Company, Division of Matsushita  
Electric Corporation of America**

One Panasonic Way Secaucus,  
New Jersey 07094

**Panasonic Sales Company,  
Division of Matsushita Electric of  
Puerto Rico, Inc. ("PSC")**

Ave. 65 de Infantería, Km. 9.5  
San Gabriel Industrial Park  
Carolina, Puerto Rico 00985

